

QUICK REFERENCE GUIDE



VQ4400 & VQ4450

Designed and manufactured by



Thank you for choosing the DISH Tailgater!

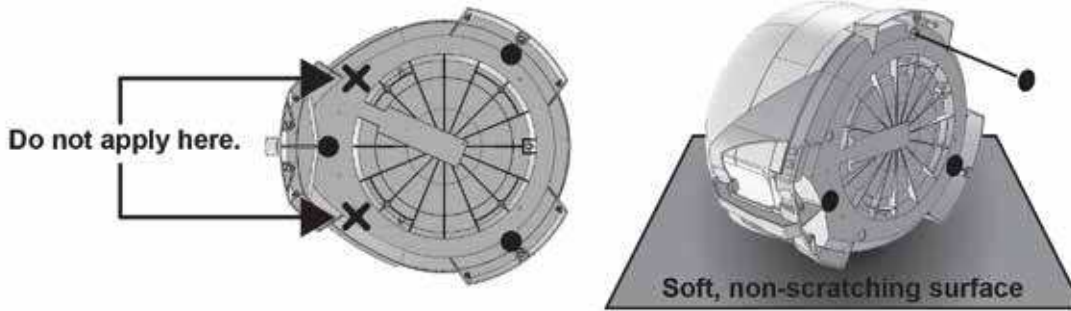
NEW AND UNACTIVATED RECEIVERS

First-time use of your DISH® Tailgater® should be at your residence or a location where you have good phone reception, as you will need to call a DISH mobile antenna specialist at 1-800-963-DISH (3474) to activate your receiver and begin viewing your satellite programming (do this at the end of step 5).



The DISH Tailgater is compatible with the following DISH receivers: Wally™ • ViP®211z • ViP211k • ViP211 • 411

1 Lay the DISH Tailgater on a soft, non-scratching surface and apply the (3) rubber feet.



Do not apply rubber feet if you will be roof-mounting the antenna unit.

2 Place the DISH Tailgater in a location with an unobstructed view of the southern sky.

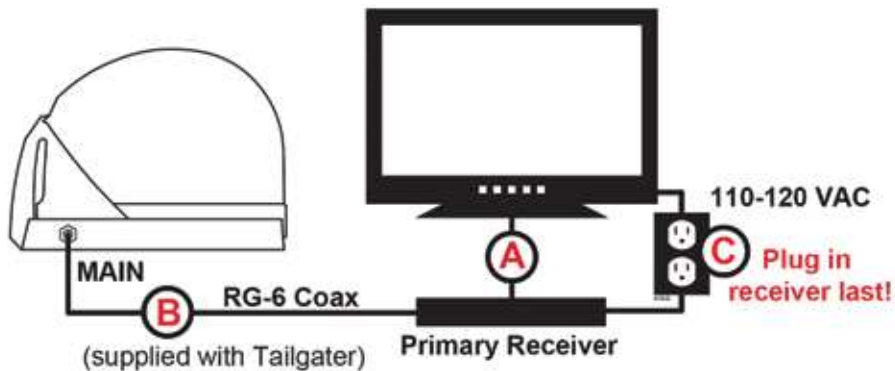
Point handle north to speed up scan time.



Obstructions such as people, vehicles, trees, buildings or any tall objects can block signal.

! If you move the DISH Tailgater during or after the scan process, you will have to perform a new scan to reacquire signal.

3 Make connections in the following order: A, B and C.



Do not overtighten coax connections!

i When you plug in the receiver (make sure outlet is powered), the green power light on the front of the receiver should illuminate or begin cycling on and off. Wait for the green light to turn solid. This may take up to two minutes. If it does not turn solid, power on your receiver using the front panel POWER button.*

Front of Wally receiver



*On ViP211z models, this is located behind the door panel.

4 Turn on your TV.

The Mobile Antenna Setup screen should appear. (Make sure your TV is on the correct input that your Tailgater is connected to. Check input by pressing Source/Input button located on the side, back or front of your TV, or on your TV's remote.)



If the Mobile Antenna Setup screen does not appear:

Wally receivers: *Unplug the Wally for 10 seconds, and then plug back in. (It may take several minutes for screen to appear.)*

ViP receivers: *Press MENU, 6, 1, 1. When Point Dish screen appears, highlight "Check Switch" and press Select.*

Wally receiver screen shown. Other receiver screens will vary.

5 Follow the on-screen instructions to perform a scan.

When scan is complete:



NEW UNACTIVATED RECEIVERS: The on-screen instructions will guide you through an initial setup and activation procedure. Upon completion, you will need to call a DISH mobile antenna specialist at 1-800-963-DISH (3474) to activate your receiver.

ACTIVATED RECEIVERS: Watch TV. Enjoy!

Owner's Manual:

For more information on operation, troubleshooting, roof installation, the warranty and accessory options for your DISH Tailgater, please refer to the DISH Tailgater Owner's Manual for your specific receiver at kingconnect.com/product/dish-tailgater:

DISH Tailgater with Wally Receiver or **DISH Tailgater with ViP Receiver**