



VQ4100 Quick Reference Guide

This Quick Reference Guide will have you watching TV in minutes!

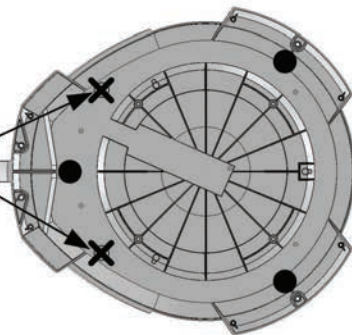
For additional information regarding the KING Quest, see your Owner's Manual.

- 1 Lay the unit on a soft, non-scratching surface, and apply the (3) rubber feet.

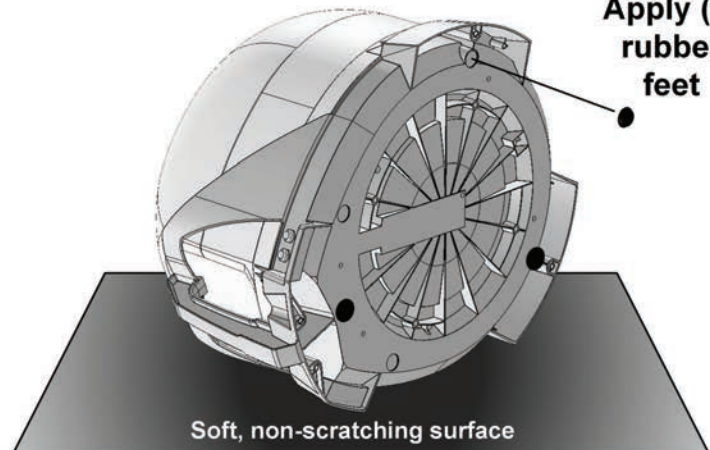
IMPORTANT!

DO NOT apply feet if you will be roof mounting the antenna unit.

Do not apply here



Apply (3) rubber feet



- 2 Place antenna unit in a location to scan for DIRECTV 101 satellite.

Place the KING Quest on a stable and reasonably level surface with a clear view of the southern sky. When placing the KING Quest in position, be sure surface is dry and free of loose dirt or sand.

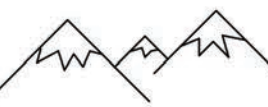
101 SATELLITE IN SOUTHERN SKY



OBSTRUCTIONS

Point handle north to speed up search time

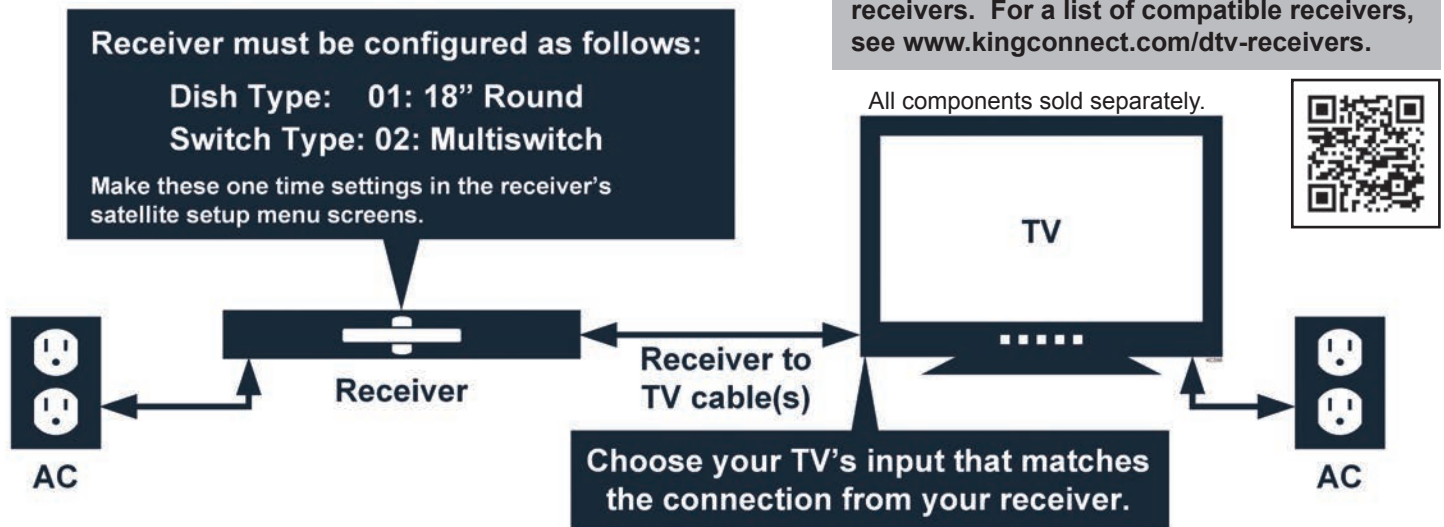
ANTENNA UNIT



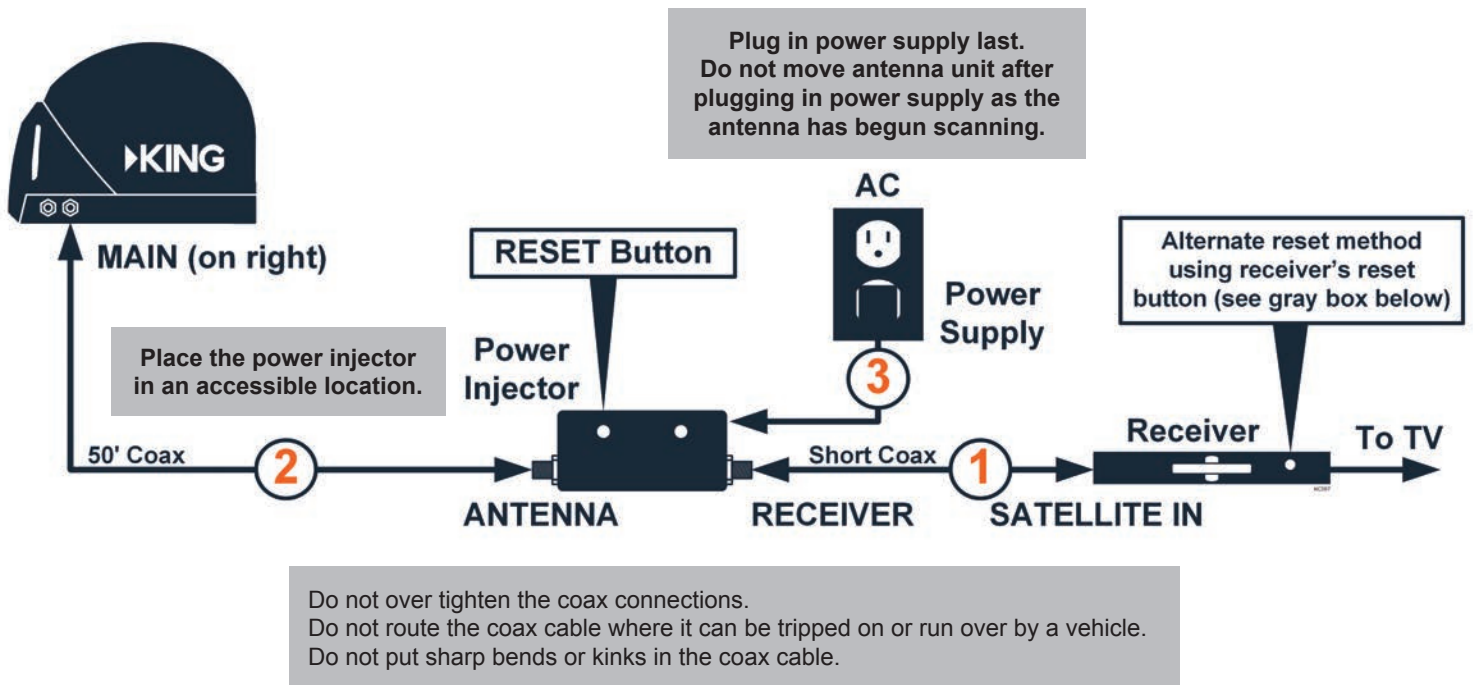
IMPORTANT!

Antenna unit must have a clear view of the southern sky. Any tall objects can block the signal from reaching the antenna.

3 Set up TV and receiver.



4 Make connections 1-3 in the order shown.



When all connections are made, the antenna unit will scan for the DIRECTV 101 satellite.

DO NOT MOVE THE ANTENNA UNIT WHILE IT IS SCANNING.

When the satellite is found, your programming will appear. Enjoy!

The antenna unit begins scanning when you plug in the power injector.

If you wish to start a new scan (for example, the unit gets moved and you lose reception): press the power injector's RESET button. This is the preferred method to start a new scan, but there are two alternate methods as well:

- Disconnect and reconnect the coax from the MAIN port on the antenna unit.
- Press the RESET button on the receiver (this option works for select receivers only, such as models D12, H24, and HR24).