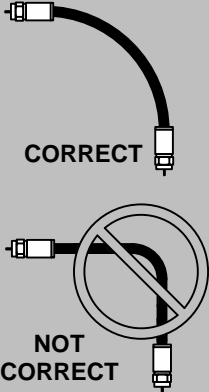


KING MB150 Portable Satellite TV Antenna Mounting Bracket

MB100-Retrofit Bracket Upgrades an existing MB100 or MB101 Bracket to an MB150 (See dashed box below)



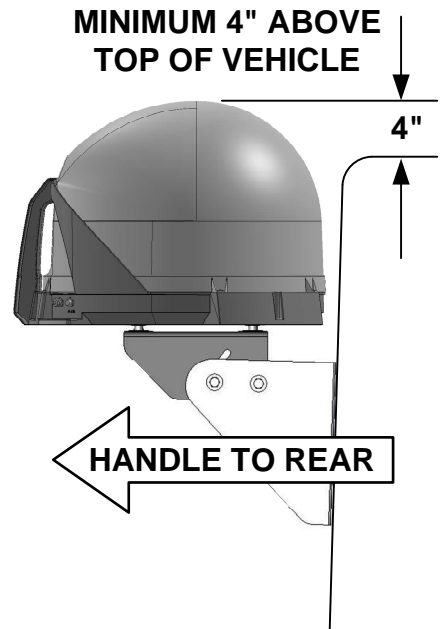
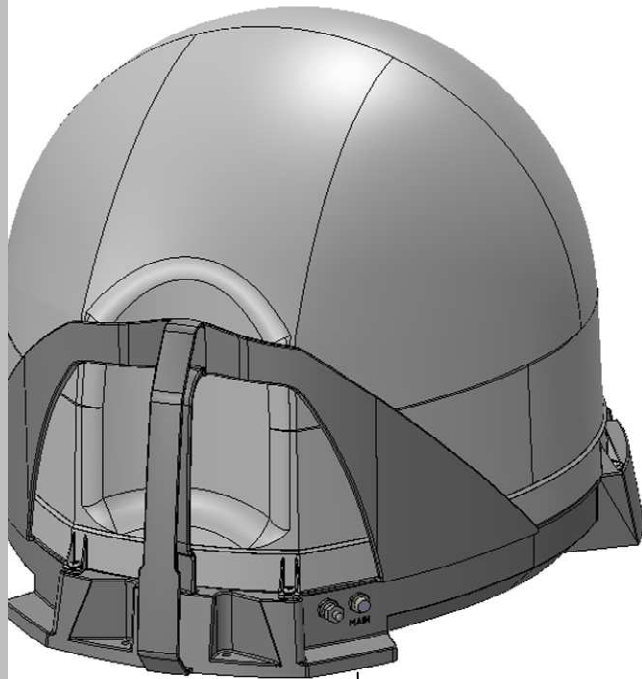
CORRECT

NOT CORRECT

Mount the unit in the position that allows for best coax routing to vehicle entry point.

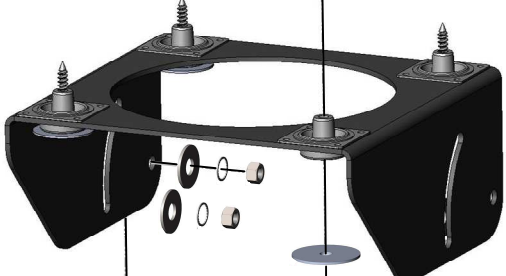
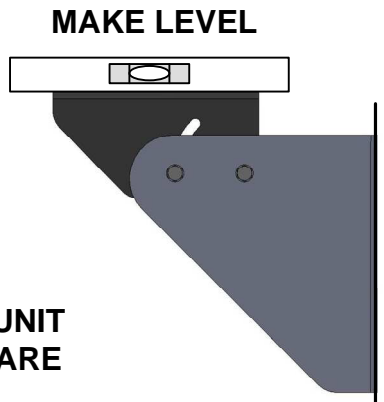
THERE MUST BE NO SHARP BENDS OR KINKS IN THE COAX!

Completely seal hole where coax enters vehicle.



The **MB100-Retrofit Bracket** consists only of this piece. It will replace the platform on existing MB100 and MB101 Brackets.

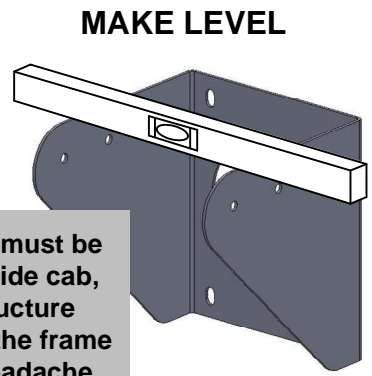
The **MB150** consists of all pieces shown.

(4) SETS MOUNTING HARDWARE

SEALANT

ROOF COMPATIBLE SEALANT (Seal all mounting holes.)



The MB150 Bracket must be mounted to the air ride cab, **NEVER** to any structure mounted directly to the frame (for example the headache rack). Mounting directly to the frame will void the satellite system warranty.