



VQ4100 Quick Reference Guide

This Quick Reference Guide will have you watching TV in minutes!

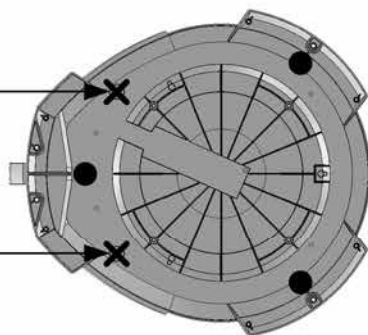
For additional information regarding the KING Quest, see the Owner's Manual at kingconnect.com/support.

1 Lay the unit on a soft, non-scratching surface, and apply the (3) rubber feet.

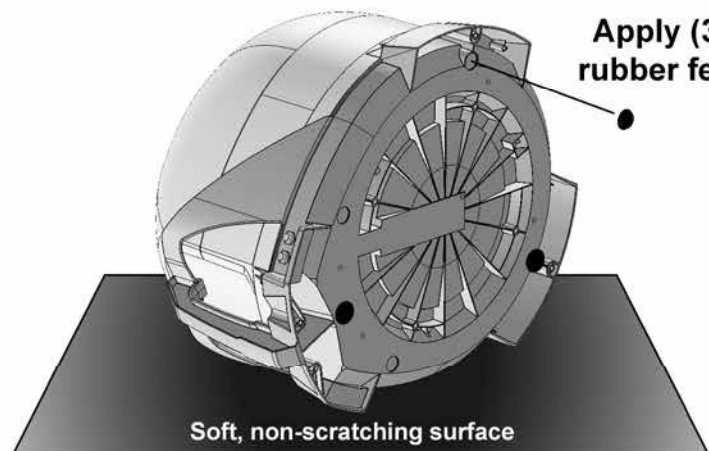
IMPORTANT!

DO NOT apply feet if you will be roof mounting the antenna unit.

Do not apply here



Apply (3) rubber feet



Soft, non-scratching surface

2 Place antenna unit in a location to scan for DIRECTV 101 satellite.

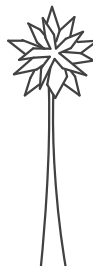
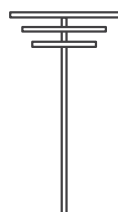
Place the antenna unit on a stable and reasonably level surface with a clear view of the southern sky. Be sure the surface is dry and free of loose dirt or sand.

101 SATELLITE IN SOUTHERN SKY

Pointing the handle north may speed up scan time, but is not required for a successful search.

OBSTRUCTIONS

ANTENNA UNIT



IMPORTANT!

Antenna unit must have a clear view of the southern sky. Any tall objects can block the signal from reaching the antenna.

3 Set up TV and receiver.

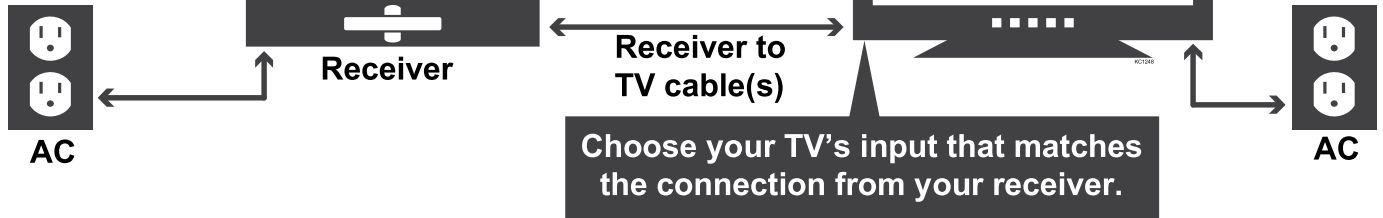
Receiver must be configured as follows:

Dish Type: 01: 18" Round
Switch Type: 02: Multiswitch

Make these one-time settings in the receiver's satellite setup menu screens.

For a list of compatible receivers, go to kingconnect.com/support and click on *Receiver Compatibility*.

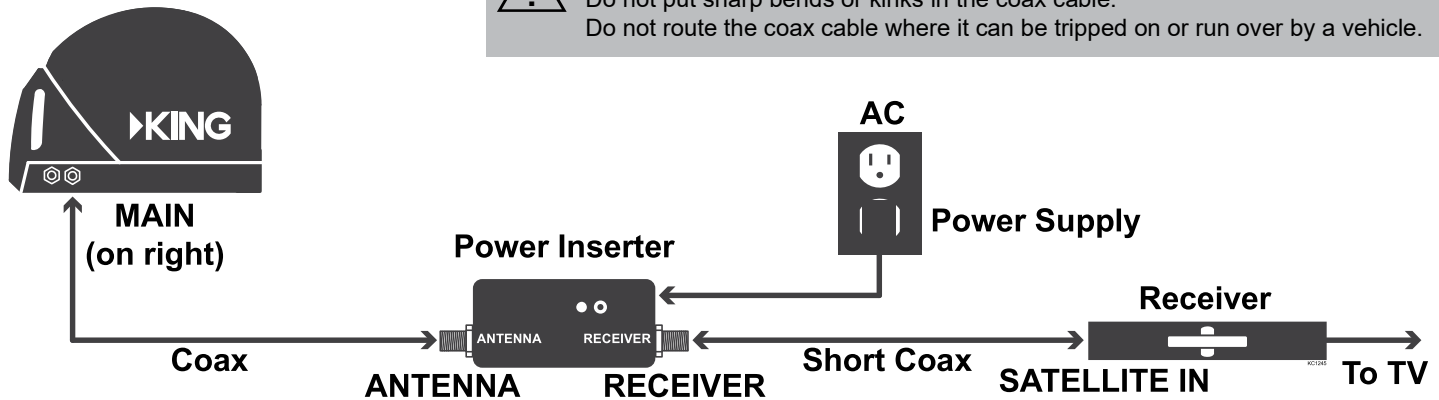
All components sold separately.



4 Make connections.



Place the power inserter in an accessible location.
Do not overtighten the coax connections.
Do not put sharp bends or kinks in the coax cable.
Do not route the coax cable where it can be tripped on or run over by a vehicle.



5 After making connections, wait 10 seconds for the system to boot up.

Press and release the power inserter button.



The antenna will start scanning for the DIRECTV 101 satellite.



DO NOT MOVE THE ANTENNA UNIT WHILE IT IS SCANNING.

When the satellite is found, your programming will appear. Enjoy!

The antenna begins scanning when you press and release the button. **PLEASE BE PATIENT!** The antenna may lock on the satellite in as little as 2 minutes, but may occasionally take up to 10-15 minutes.

If you wish to start a new scan (for example, the unit gets moved and you lose reception): press and release the power inserter button. This is the only way to start a new scan.

The KING Quest is not programmed to lock on the 119 satellite, so you will not receive your local channels if they are broadcast from the 119.

Access the full KING Quest manual at kingconnect.com/support. We're here to help! Call 952-345-8147.