



VQ4800 Quick Reference Guide

This Quick Reference Guide will have you watching TV in minutes!

For additional information regarding the KING Quest Pro,
see your Owner's Manual.

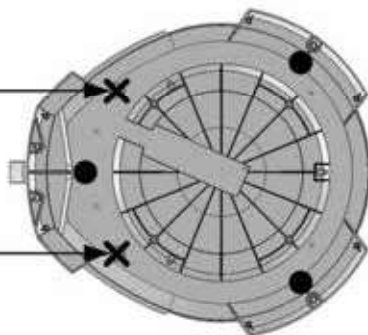
Please register your product at kingconnect.com/support/product-registration.

1 Lay the unit on a soft, non-scratching surface, and apply the (3) rubber feet.

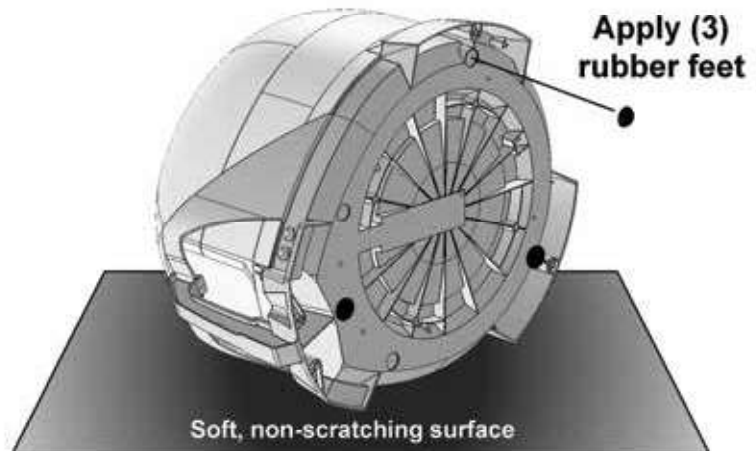
IMPORTANT!

DO NOT apply feet if you will be roof mounting the antenna unit.

Do not
apply here



Apply (3)
rubber feet



2 Place antenna unit in a location to scan for DIRECTV 101 satellite.

Place the KING Quest Pro on a stable and reasonably level surface with a clear view of the southern sky.
When placing the KING Quest Pro in position, be sure surface is dry and free of loose dirt or sand.

101 SATELLITE IN
SOUTHERN SKY



Point handle north to
speed up scan time.

ANTENNA
UNIT



OBSTRUCTIONS



IMPORTANT!

Antenna unit must have a clear view
of the southern sky. Any tall objects
can block the signal from reaching
the antenna.

3 Set up TV and receiver.

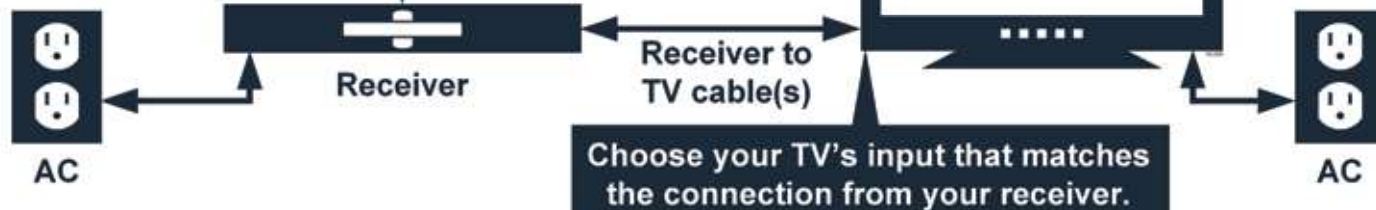
For a list of compatible receivers, see kingconnect.com/dtv-receivers.



Receiver must be configured as follows:

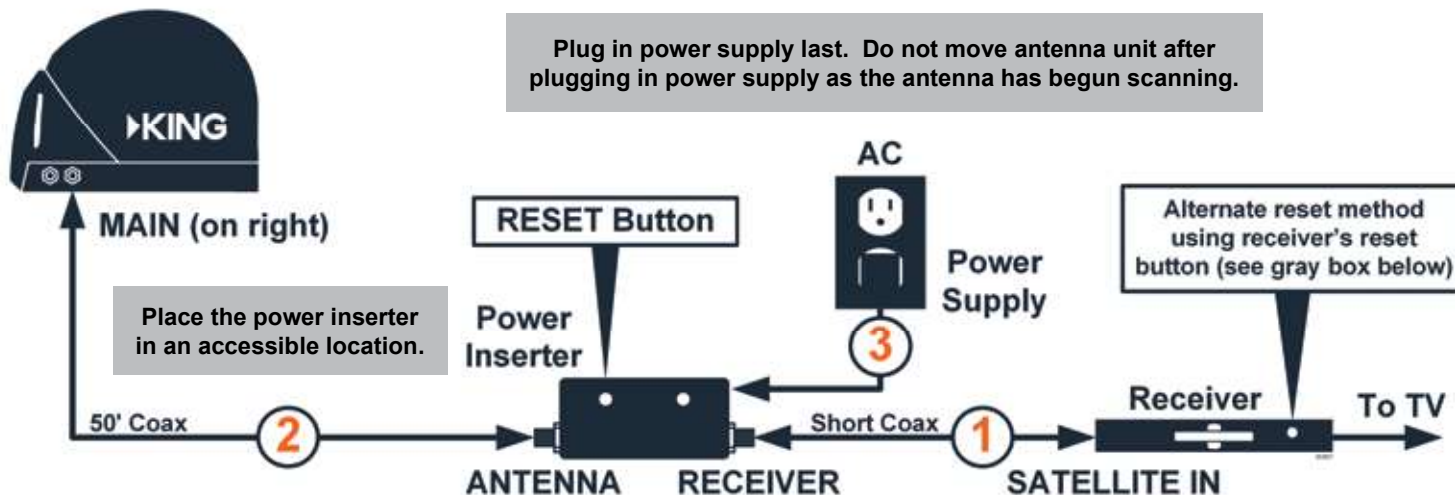
Dish Type: 01: 18" Round
Switch Type: 02: Multiswitch

Make these one time settings in the receiver's satellite setup menu screens.



4 Make connections 1-3 in the order shown.

Plug in power supply last. Do not move antenna unit after plugging in power supply as the antenna has begun scanning.



Do not overtighten the coax connections. Do not put sharp bends or kinks in the coax cable. Do not route the coax cable where it can be tripped on or run over by a vehicle.

When all connections are made, the antenna unit will scan for the DIRECTV 101 satellite.

DO NOT MOVE THE ANTENNA UNIT WHILE IT IS SCANNING.

When the satellite is found, your programming will appear. Enjoy!

The antenna unit begins scanning when you plug in the power inserter. **PLEASE BE PATIENT!** The antenna unit may lock onto the satellite in as little as 2 minutes, but may occasionally take up to 10-15 minutes.

If you wish to start a new scan (for example, the unit gets moved and you lose reception): press the power inserter's RESET button. This is the preferred method to start a new scan, but there are two alternate methods as well:

- Disconnect and reconnect the coax from the MAIN port on the antenna unit.
- Press the RESET button on the receiver (works for select receivers only, such as models D12, H24 and HR24).

The KING Quest Pro is not programmed to lock onto the 119 satellite, so you will not receive your local channels if they are broadcast from the 119. If you wish to receive programming from the 119 as well as the 101, you can replace the power injector with the KING UC1000 Controller (sold separately - see your dealer or our website kingconnect.com).